

4

3

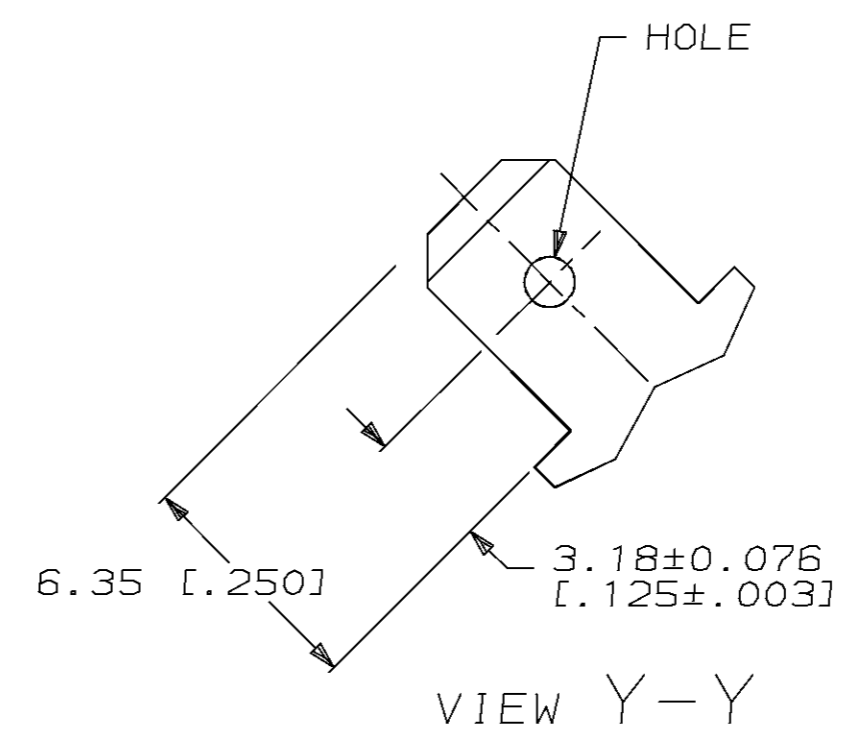
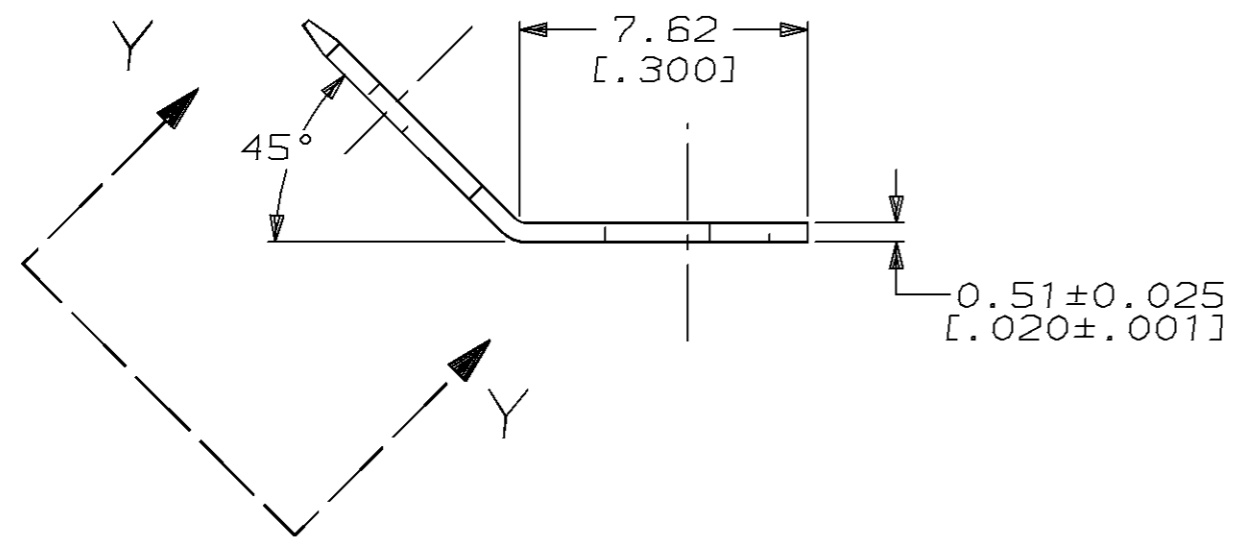
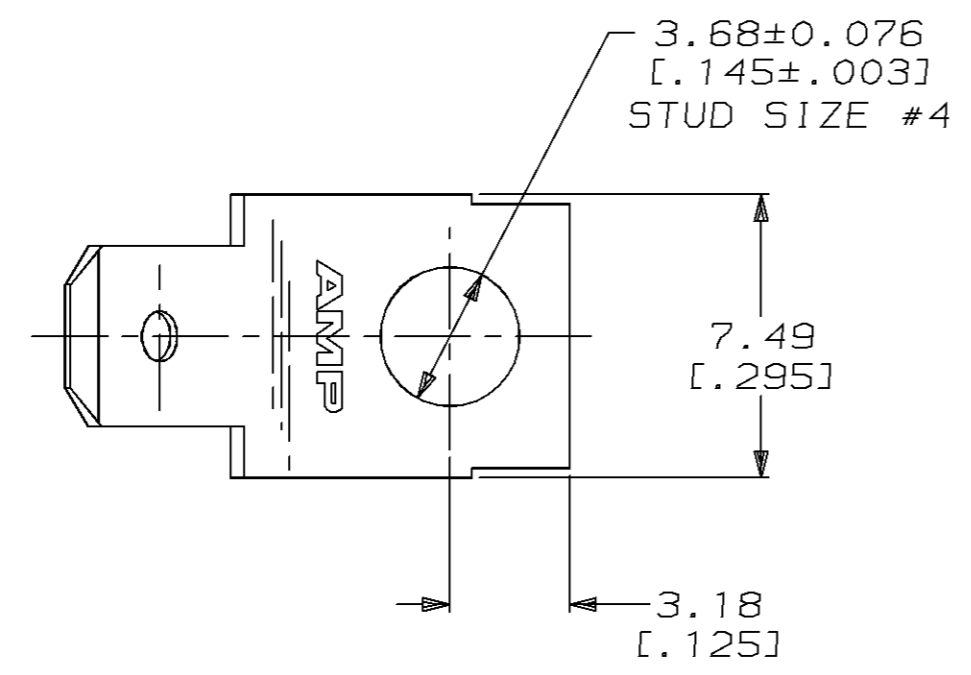
2

1

THIS DRAWING IS UNPUBLISHED. RELEASED FOR PUBLICATION, 19 .  
 © COPYRIGHT 19 BY AMP INCORPORATED. ALL RIGHTS RESERVED.

| LOC | DIST | REVISIONS   |                          |         |      |    |
|-----|------|-------------|--------------------------|---------|------|----|
| P   | LTR  | DESCRIPTION | DATE                     | DWN     | APVD |    |
| AF  | 50   | B           | REDRAWN PER 0L10-0008-97 | 1/10/97 | JR   | JH |

1 SUPPLIED IN LOOSE PIECE.



62576-1  
PART NO.

|  |                    |                  |            |                                 |  |
|--|--------------------|------------------|------------|---------------------------------|--|
| THIS DRAWING IS A CONTROLLED DOCUMENT. |                    | DWN              | JR RUTH    | 1/10/97                         | <b>AMP</b> AMP Incorporated<br>Harrisburg, PA 17105-3608 |
| DIMENSIONS: MM [INCHES]                |                    | CHK              | MS FEHER   | 1/10/97                         |  |
| TOLERANCES UNLESS OTHERWISE SPECIFIED: |                    | APVD             | J HUZVAR   | 1/10/97                         |  |
|  | 0 PLC ±-           | PRODUCT SPEC     |            | NAME                            |  |
|  | 1 PLC ±-           | -                |            | TAB, FASTON, 4.75 [.187] SERIES |  |
|  | 2 PLC ±0.38 [.015] | APPLICATION SPEC |            | SIZE                            |  |
|  | 3 PLC ±-           | -                |            | CAGE CODE                       |  |
| 4 PLC ±-                               | WEIGHT             |                  | DRAWING NO |                                 | A3 00779 C-62576   |
| ANGLES ±-                              | -                  |                  | SCALE      |                                 |  |
| MATERIAL 082 BRASS                     | FINISH -           | CUSTOMER DRAWING |            | 5:1                             | SHEET 1 OF 1   |
|  |                    |                  |            |                                 | REV B  |